

MODEL	DIM A	DIM B	DIM C
NS1UGB	600	730	405
NS2UGB	1000	800	550
NS3UGB	1000	1000	700
NS5UGB	1000	1300	1000
NS10UGB	1500	1250	900
NS15UGB	1500	1550	1200
NS20UGB	1500	1850	1500
NS25UGB	2000	1500	1150
NS30UGB	2000	1650	1300
NS35UGB	2000	1820	1470
NS40UGB	2000	2000	1650
NS45UGB	2000	2140	1790
NS50UGB	2000	2300	1950

REVISIONS:

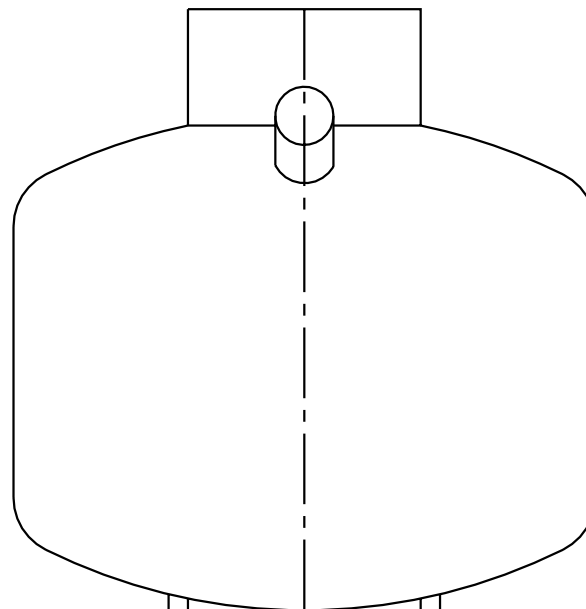
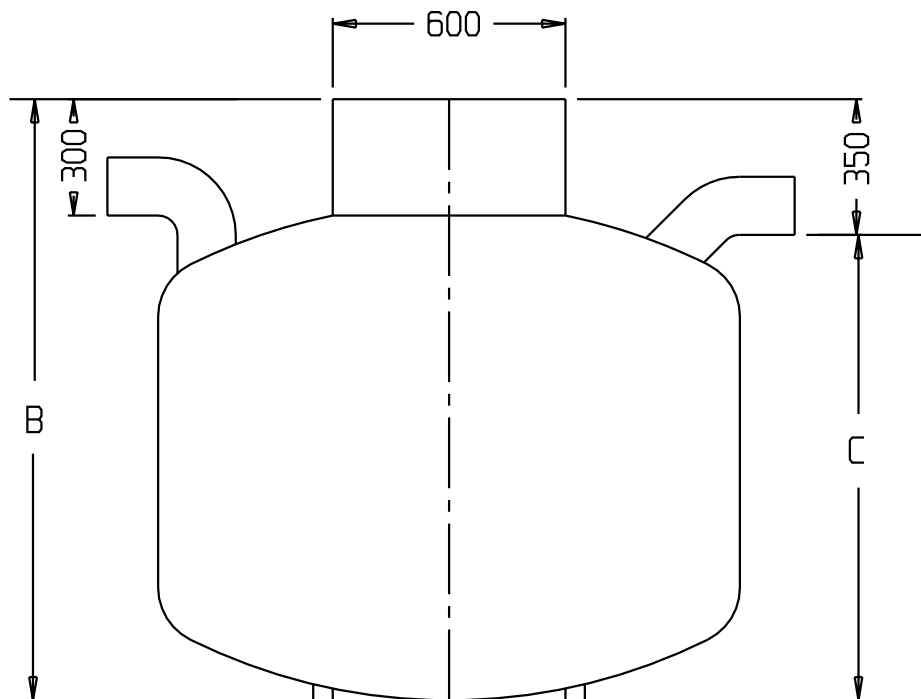
**PROGRESSIVE
PRODUCT
DEVELOPMENTS
LIMITED**

DINGLEY DELL HOUSE
BEACON BOTTOM
SWANWICK
SOUTHAMPTON
SO31 7GQ

TEL: 01489-576787
FAX: 01489-578463

DRG. No: GENUGB

DRAWN: W. A. CARR
DATE: 17.11.97



TITLE:
UNDERGROUND
BIOMASS
GREASE TRAPS

DETAIL:

LAYOUT:

PRODUCT CODE:

CONTRACT: