

REVISIONS:

**PROGRESSIVE
PRODUCT
DEVELOPMENTS
LIMITED**

DINGLEY DELL HOUSE
BEACON BOTTOM
SWANWICK
SOUTHAMPTON
SO31 7GQ

TEL: 01489-576787
FAX: 01489-578463

DRG. No: 9115

DRAWN: W. A. CARR
DATE: 27.6.97

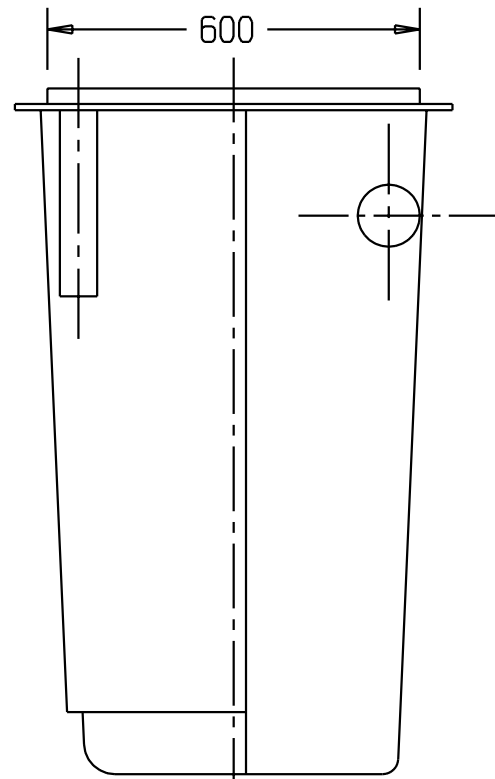
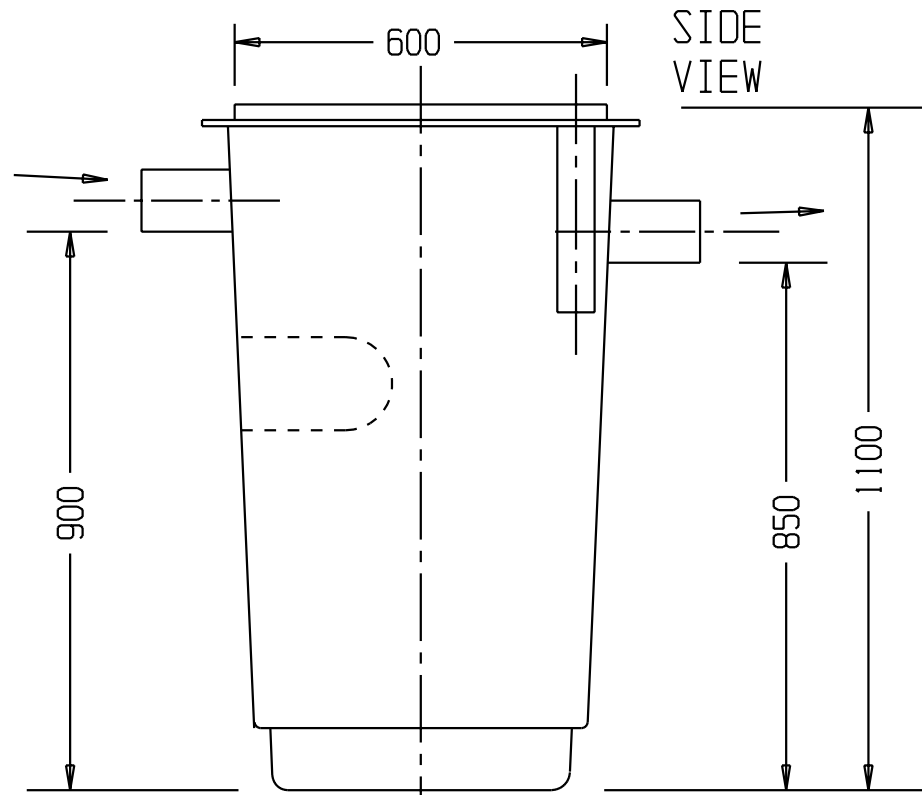
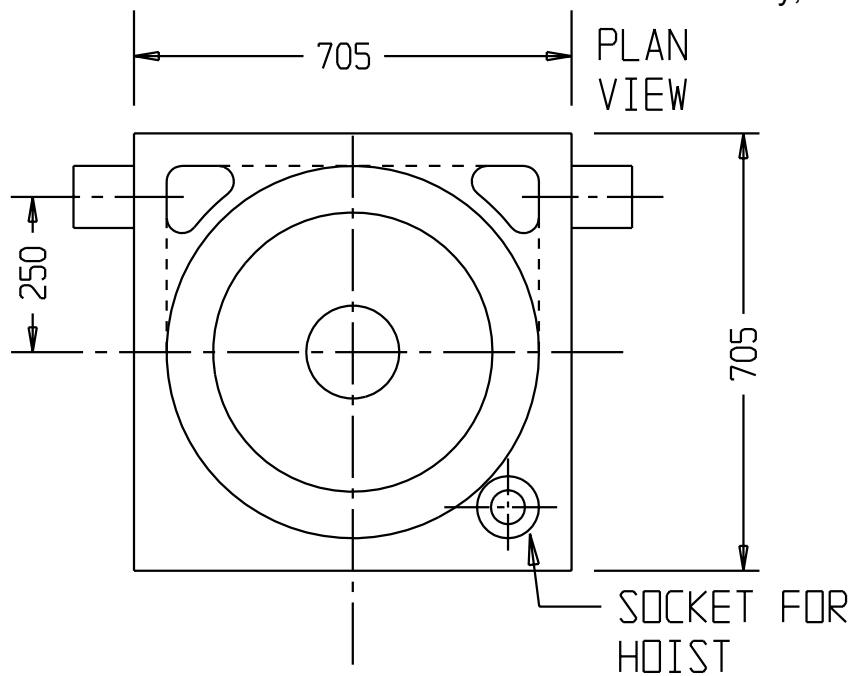
TITLE:
144 LITRE
FILTERTRAP

DETAIL:

LAYOUT:

PRODUCT CODE:

CONTRACT:



REVISIONS:

**PROGRESSIVE
PRODUCT
DEVELOPMENTS
LIMITED**

DINGLEY DELL HOUSE
BEACON BOTTOM
SWANWICK
SOUTHAMPTON
SO31 7GQ

TEL: 01489-576787
FAX: 01489-578463

DRG. No: 9001

DRAWN: W.A.CARR
DATE: 27.6.97

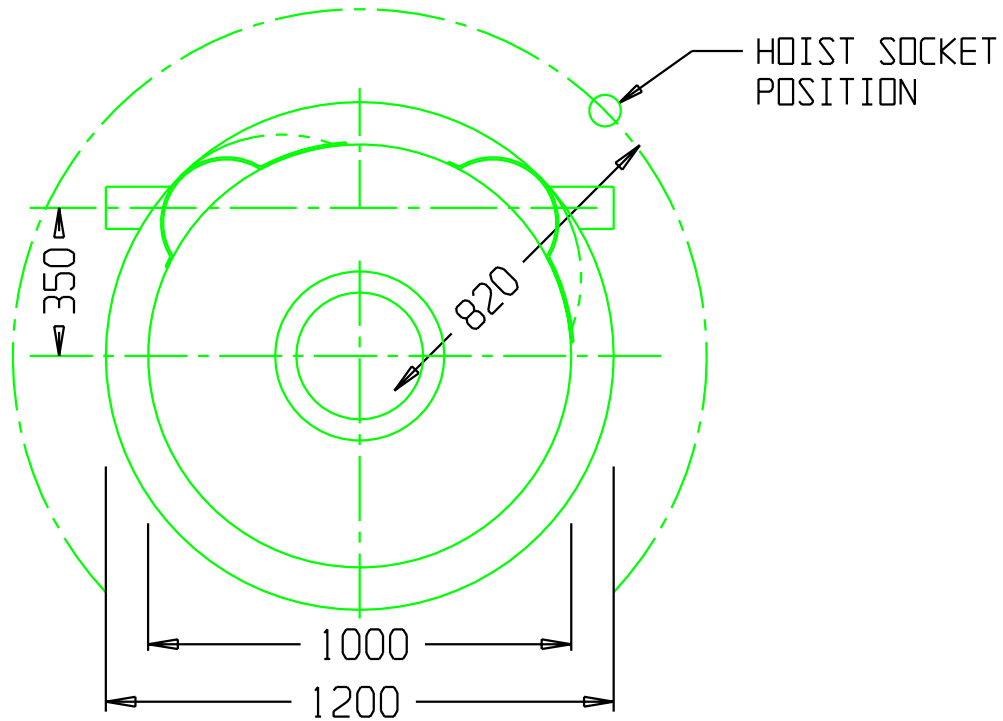
TITLE:
225 LITRE
NS1.25
FILTERTRAP

DETAIL:

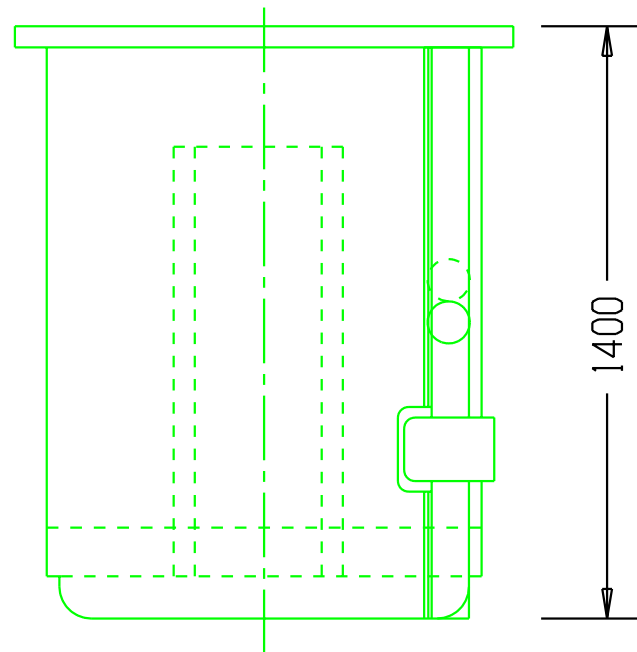
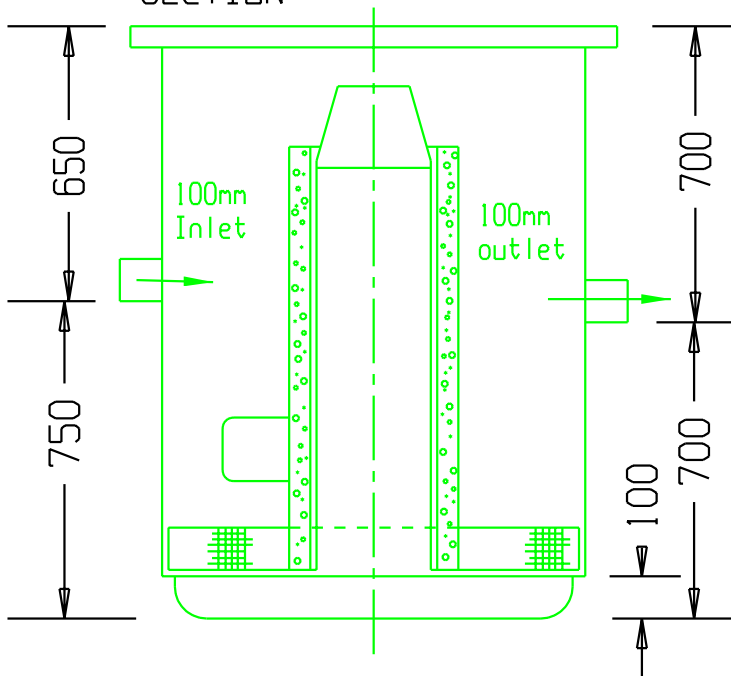
LAYOUT:

PRODUCT CODE:

CONTRACT:



SECTION



REVISIONS:

PROGRESSIVE
PRODUCT
DEVELOPMENTS
LIMITED

DINGLEY DELL HOUSE
BEACON BOTTOM
SWANWICK
SOUTHAMPTON
SO31 7GQ

TEL: 01489-576787
FAX: 01489-578463

DRG. No: 9000

DRAWN: W.A.CARR
DATE: 30.7.88

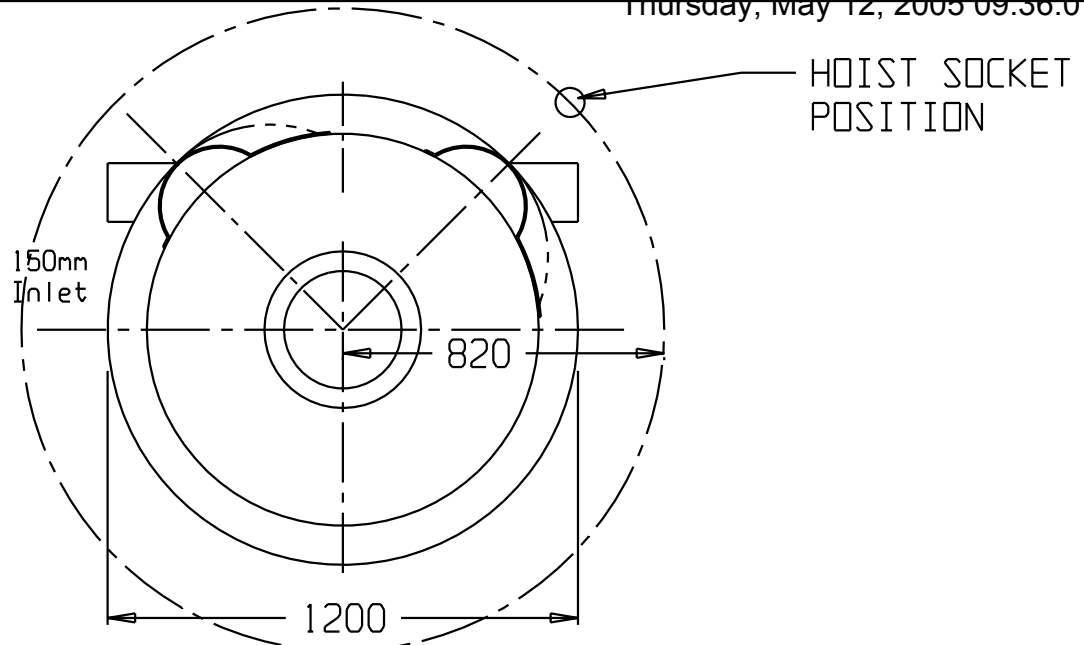
TITLE:
540 LITRE
NS 3
FILTERTRAP

DETAIL:

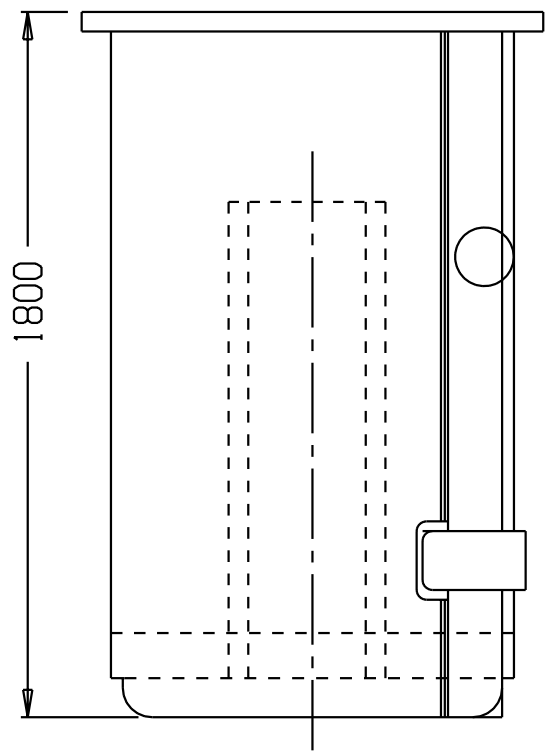
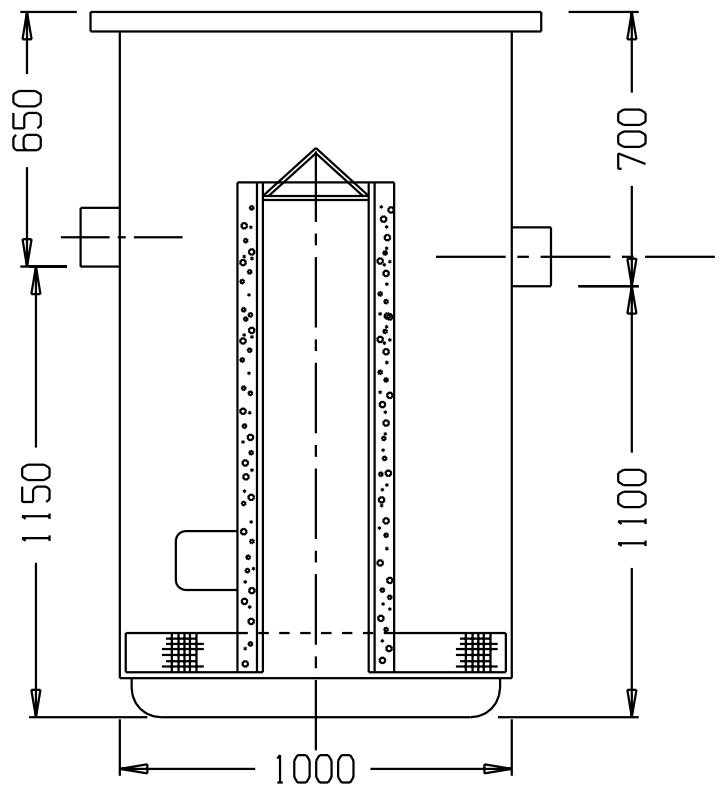
LAYOUT:

PRODUCT CODE:

CONTRACT:



SECTION



REVISIONS:

**PROGRESSIVE
PRODUCT
DEVELOPMENTS
LIMITED**

DINGLEY DELL HOUSE
BEACON BOTTOM
SWANWICK
SOUTHAMPTON
SO31 7GQ

TEL: 01489-576787
FAX: 01489-578463

DRG. No: 9020

DRAWN: W. A. CARR
DATE: 26.6.97

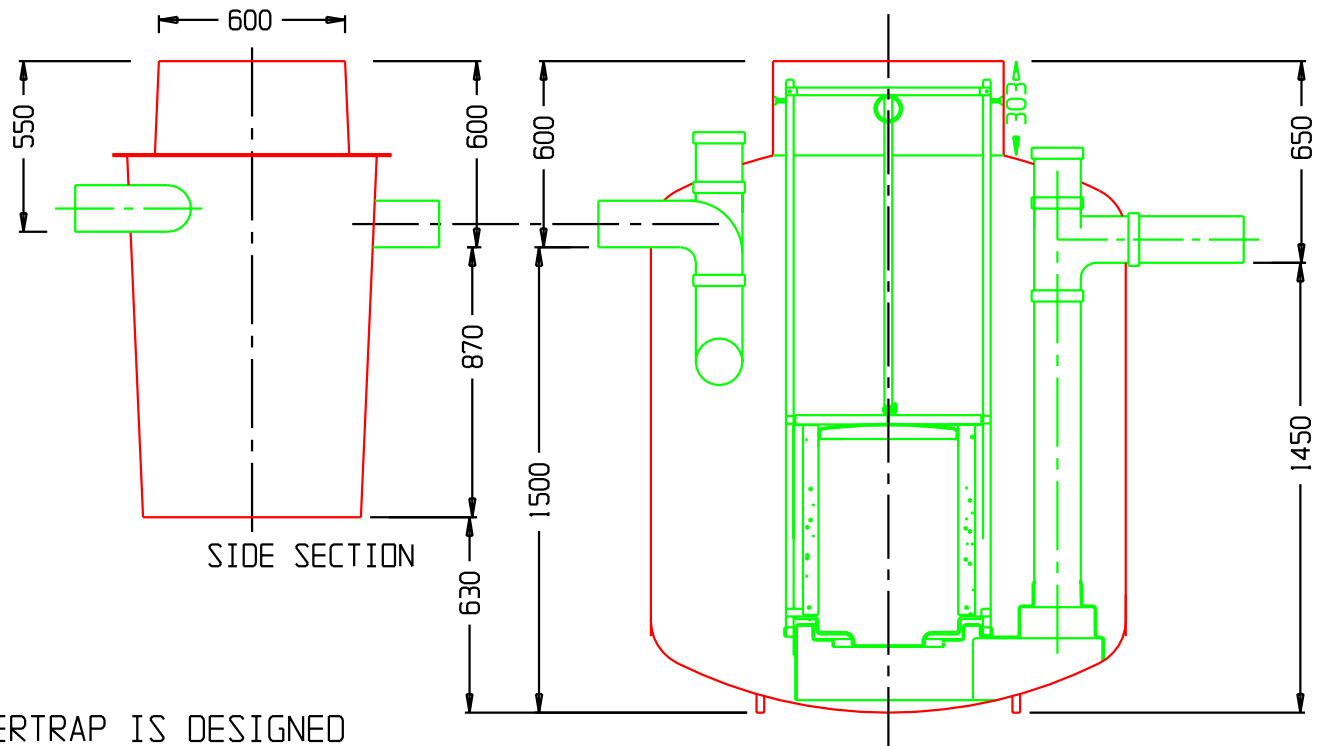
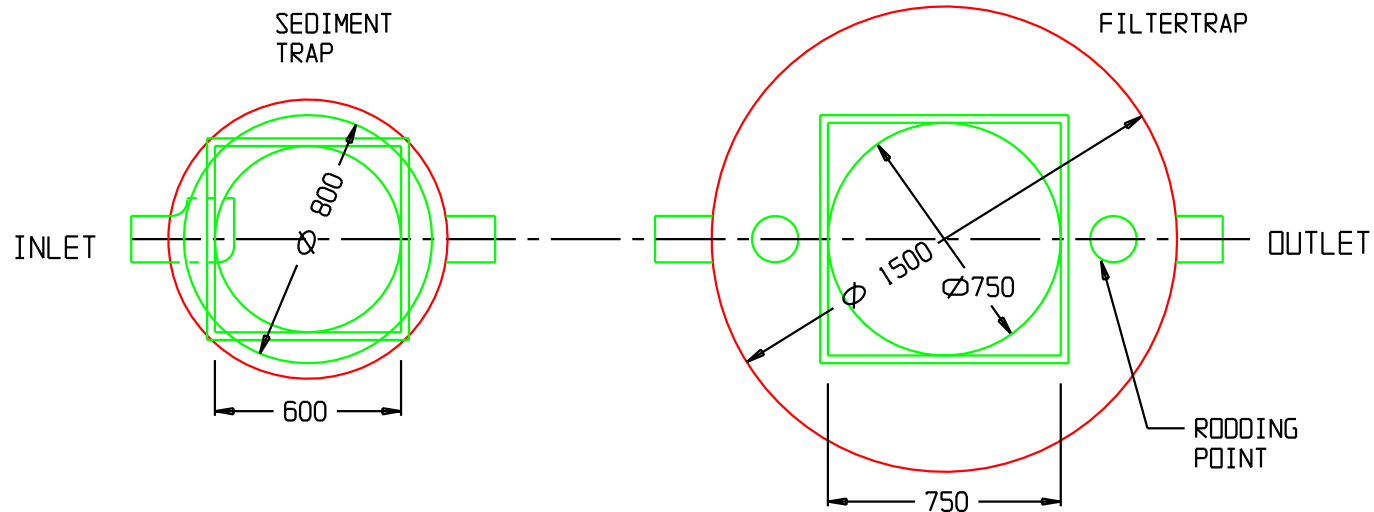
TITLE:
810 LITRE
NS4.5
FILTERTRAP

DETAIL:

LAYOUT:

PRODUCT CODE:

CONTRACT:



THIS FILTERTRAP IS DESIGNED FOR EMPTYING BY SUCTION TANKER

REVISIONS:

**PROGRESSIVE
PRODUCT
DEVELOPMENTS
LIMITED**

DINGLEY DELL HOUSE
BEACON BOTTOM
SWANWICK
SOUTHAMPTON
SO31 7GQ

TEL: 01489-576787
FAX: 01489-578463

DRG. No: 9107

DRAWN: W.A.CARR
DATE: 22.11.96

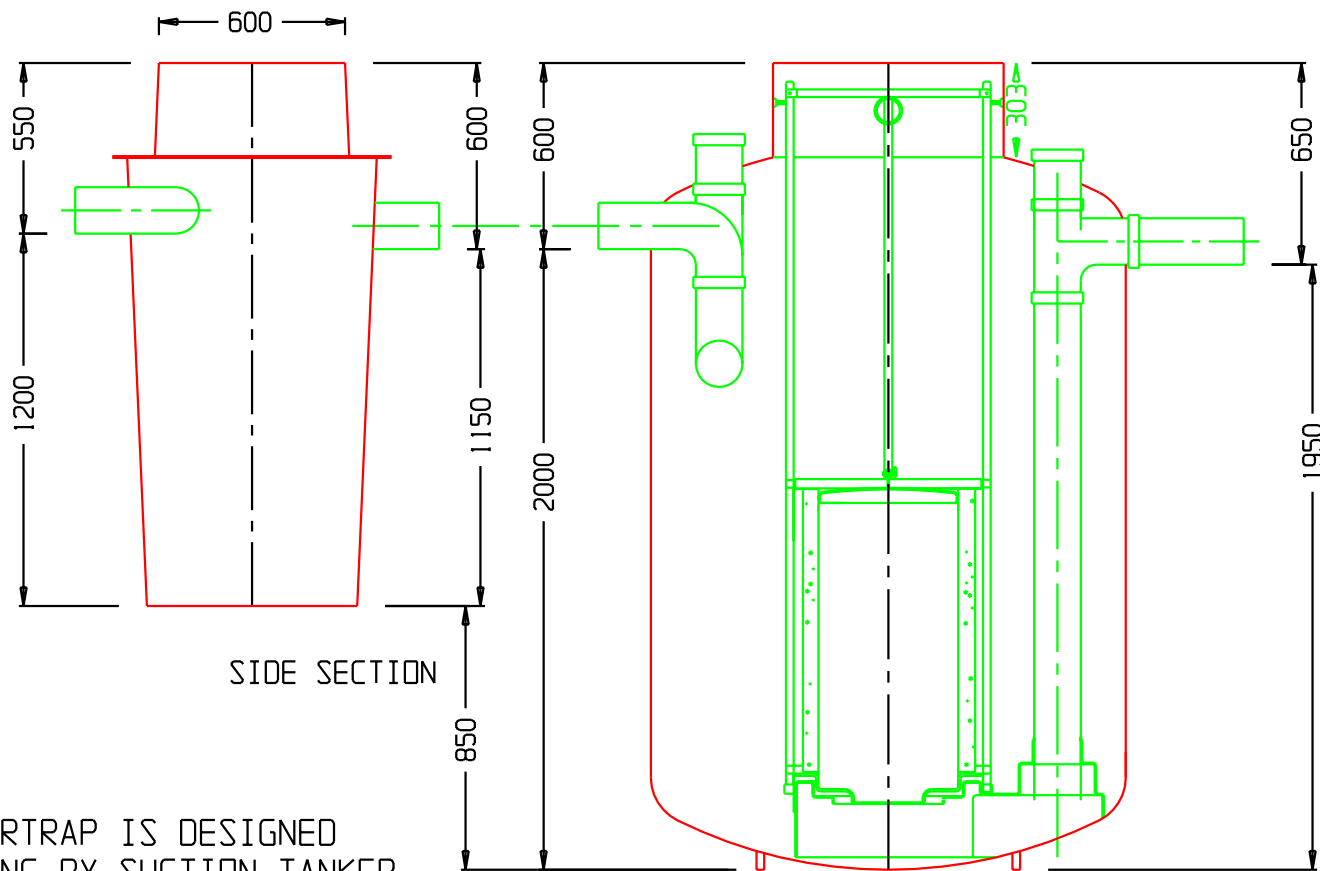
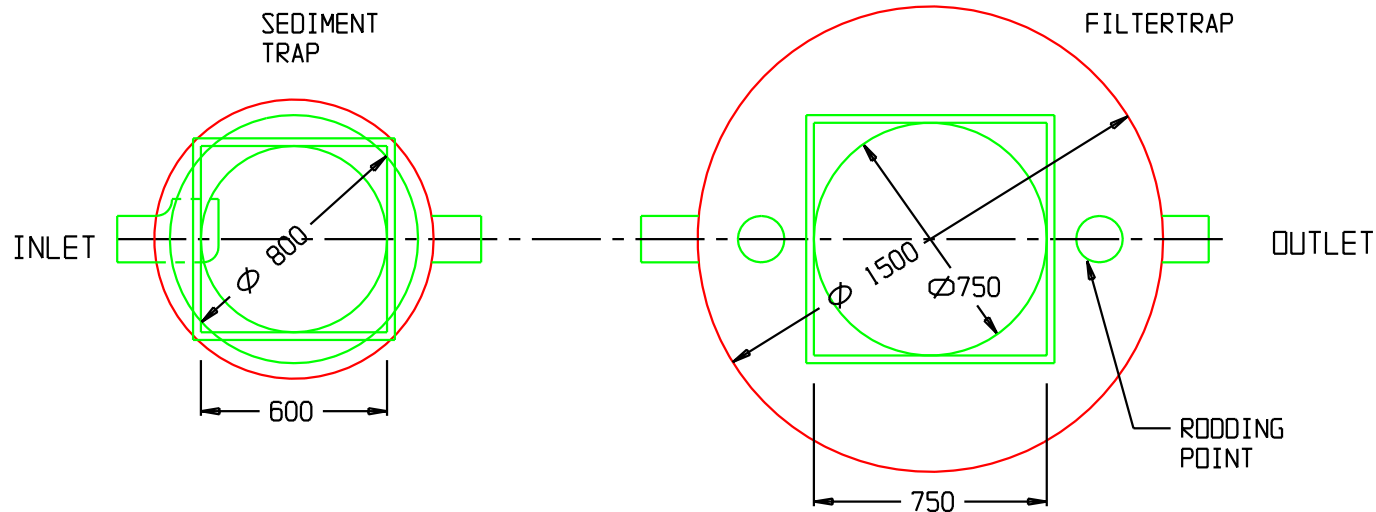
TITLE:
NS10TE
FILTERTRAP WITH
SEDIMENT TRAP

DETAIL:
TANKER EMPTIED
150mm PIPES

LAYOUT:

PRODUCT CODE:

CONTRACT:



THIS FILTERTRAP IS DESIGNED FOR EMPTYING BY SUCTION TANKER

REVISIONS:

**PROGRESSIVE
PRODUCT
DEVELOPMENTS
LIMITED**

DINGLEY DELL HOUSE
BEACON BOTTOM
SWANWICK
SOUTHAMPTON
SO31 7GQ

TEL: 01489-576787
FAX: 01489-578463

DRG. No: 9108

DRAWN: W.A.CARR
DATE: 22.11.96

TITLE:
NS15TE
FILTERTRAP WITH
SEDIMENT TRAP

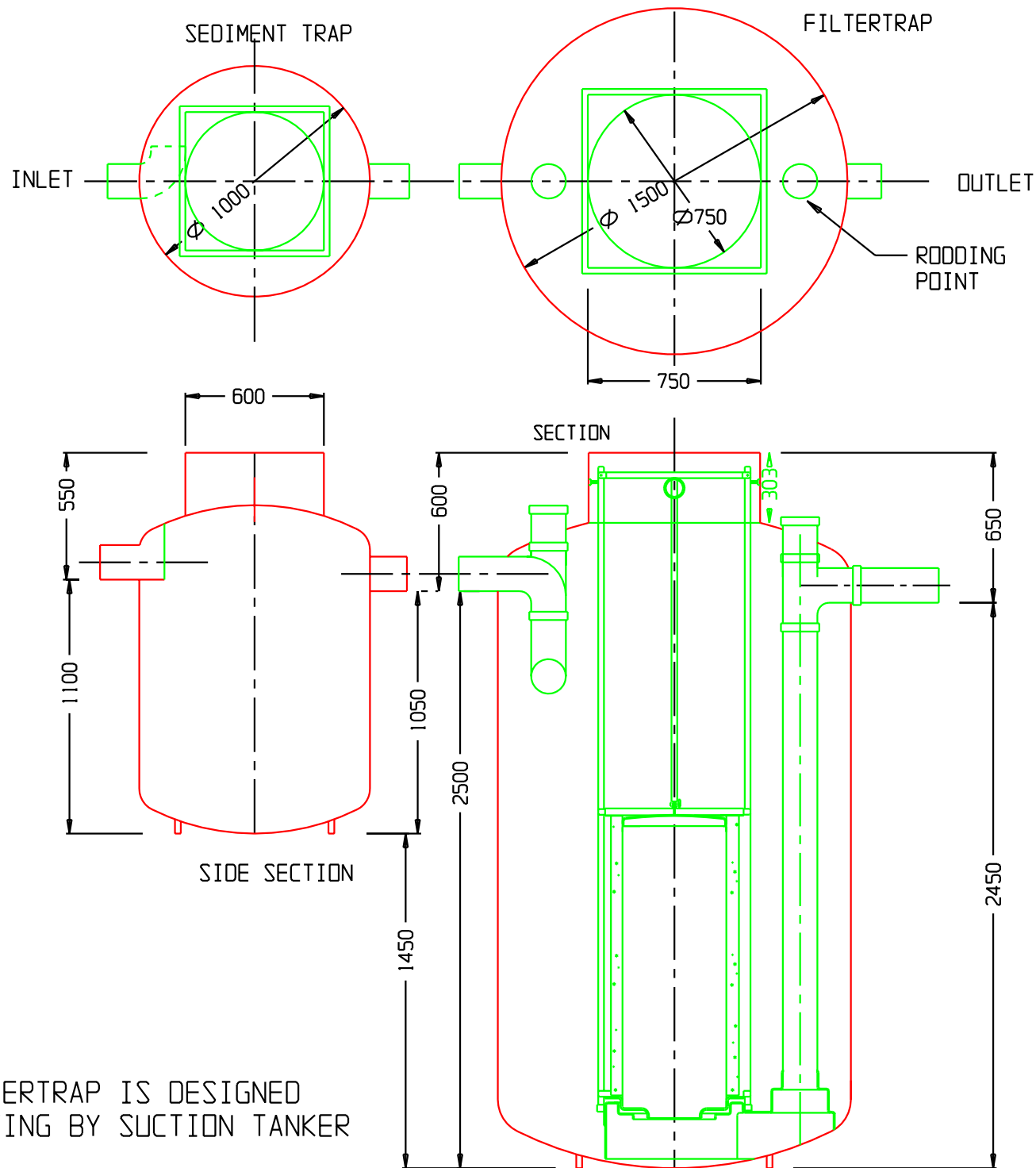
DETAIL:
TANKER EMPTIED
150mm PIPES

LAYOUT:

PRODUCT CODE:
9234

CONTRACT:

15 L/SEC



THIS FILTERTRAP IS DESIGNED FOR EMPTYING BY SUCTION TANKER

REVISIONS:

**PROGRESSIVE
PRODUCT
DEVELOPMENTS
LIMITED**

DINGLEY DELL HOUSE
BEACON BOTTOM
SWANWICK
SOUTHAMPTON
SO31 7GQ

TEL: 01489-576787
FAX: 01489-578463

DRG. No: 9109

DRAWN: W.A.CARR
DATE: 22.11.96

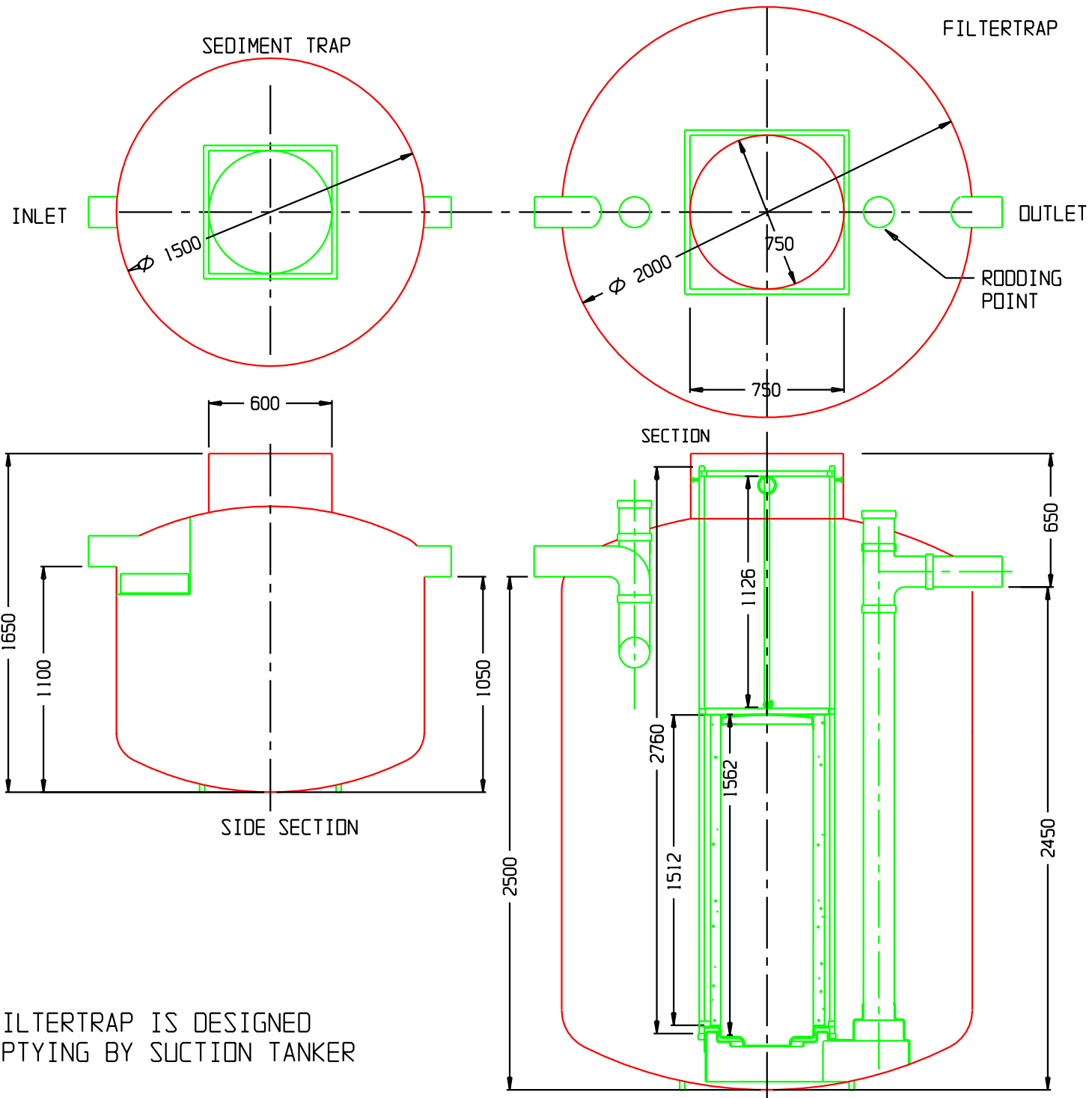
TITLE:
NS20TE
FILTERTRAP WITH
SEDIMENT TRAP

DETAIL:
TANKER EMPTIED
150mm PIPES

LAYOUT:

PRODUCT CODE:

CONTRACT:



REVISIONS:

**PROGRESSIVE
PRODUCT
DEVELOPMENTS
LIMITED**

DINGLEY DELL HOUSE
BEACON BOTTOM
SWANWICK
SOUTHAMPTON
SO31 7GQ

TEL: 01489-576787
FAX: 01489-578463

DRG. No: 9110

DRAWN: W.A.CARR
DATE: 22.11.96

TITLE:
NS25TE
FILTERTRAP WITH
SEDIMENT TRAP

DETAIL:
TANKER EMPTIED
150mm PIPES

LAYOUT:

PRODUCT CODE:
9110

CONTRACT:

THIS FILTERTRAP IS DESIGNED
FOR EMPTYING BY SUCTION TANKER